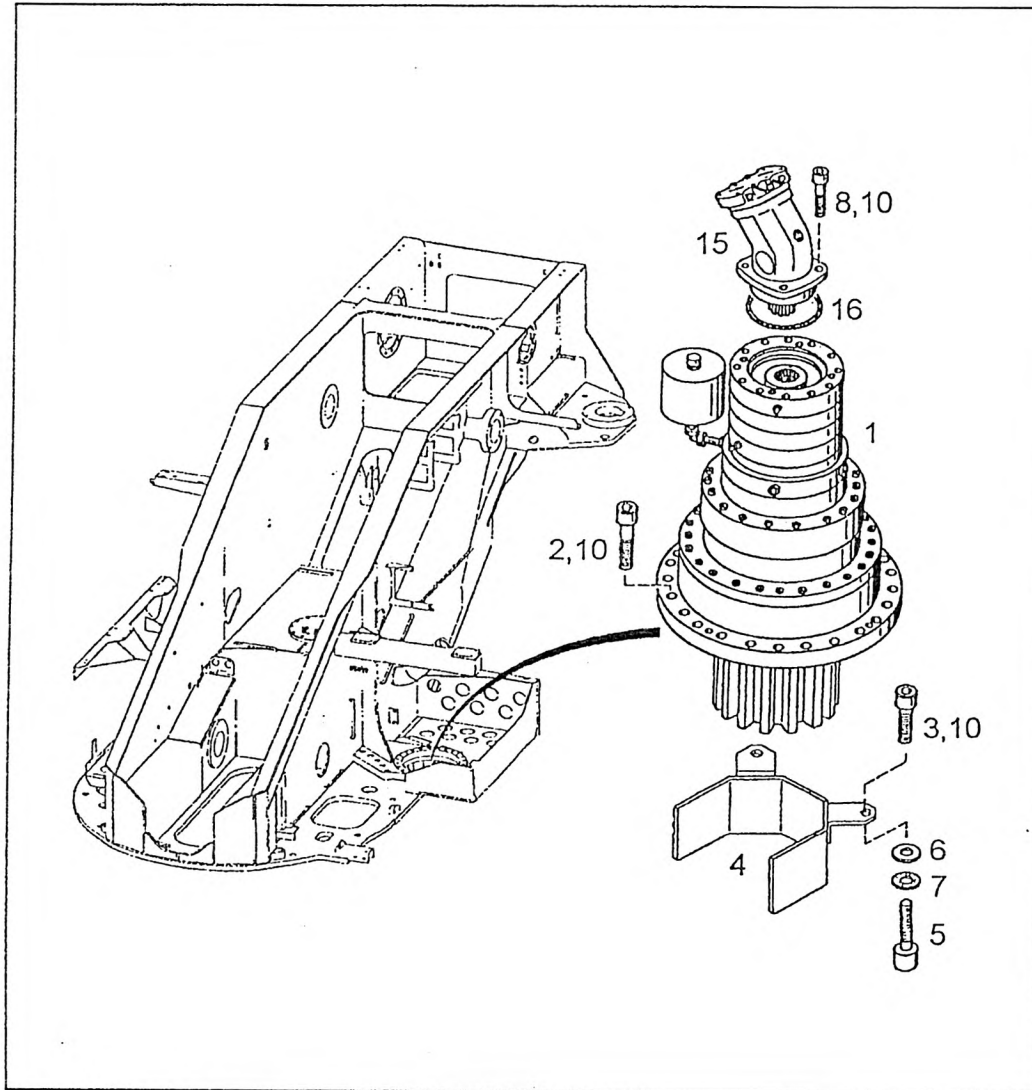


SLEWING GEAR INST  
DREHWERK-EINBAU  
DISPOS ROTATION INST

997-077-67163

Figure  
Bild 7767163  
Figure

5905-01



Item Pos. Réf	Part No. Teil-Nr. Pièce No	Designation Benennung Désignation	all alle tous	Qty/assy Stck/Variante Pièce/ensemble								Figure Bild Figure	
				A	B	C	D	E	F	G	H		
1	997-070-00873	SLEWING GEAR DRIVE DREHWERKANTRIEB-KPL ENTR DISPOT ROTAT	1										5905-02
2	997-062-20247	SOCKET HEAD SCREW M16x55 ZYL-SCHRAUBE VIS A TETE CYL	22										
3	997-070-06181	SOCKET HEAD SCREW M16x45 ZYL-SCHRAUBE VIS A TETE CYL	2										
4	997-077-40316	GUARD PLATE SCHUTZBLECH TOLE DE PROTECTION	1										
5	997-000-53663	SOCKET HEAD SCREW M16x55 ZYL-SCHRAUBE VIS A TETE CYL	2										
6	997-014-21902	DISK 17 SCHEIBE DISQUE	2										
7	997-084-03766	LOCKWASHER 16 SICH-SCHEIBE RONDELLE SECURITE	2										
8	997-009-39137	SOCKET HEAD SCREW M10x30 ZYL-SCHRAUBE VIS A TETE CYL	4										
10	997-084-32603	SCREW SECURINGCOMP (250mL) SCHRAUBENSICH.-MITTEL MOYEN ASURETE VIS	nB										
15	-----	AXIAL PISTON MOTOR AXIALKOLBENMOTOR MOTEUR A PISTON AX	1										3213-01
16	997-004-40426	O-RING 100,0x2,0 O-RING JOINT TORIQUE	1										